

Genius 1024

Nitrogen/Dry Air Generator for
Sciex Mass Spectrometers



Your local **gas generation** partner

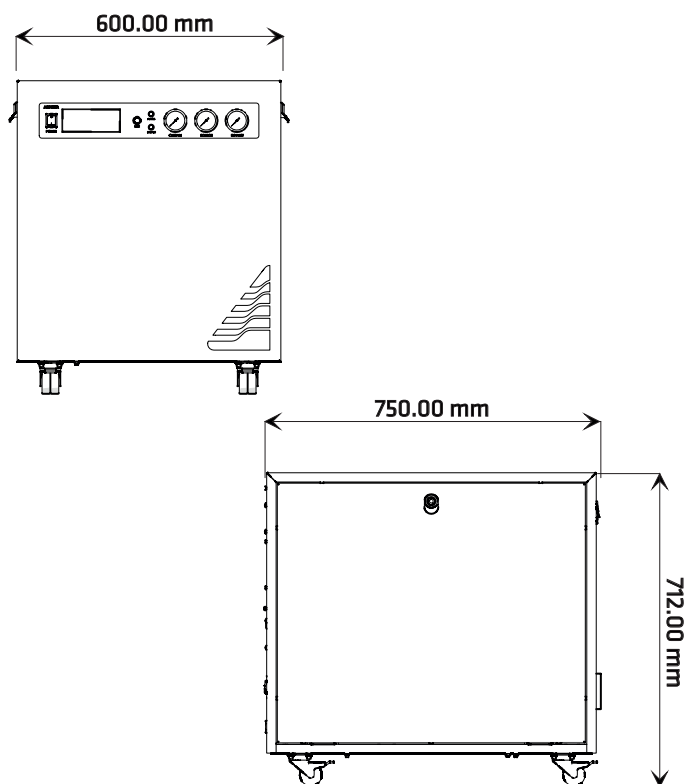
Description

Designed exclusively to meet the needs of SCIEX LC-MS systems and approved by SCIEX for use with all their RUO (Research Use Only) LC-MS systems, the Genius 1024 provides a compact single source gas solution for all Sciex LC-MS instruments (excluding MD).

The Genius 1024 is built around the trusted and proven technology of Peak Scientific's Genius series of generators. Designed mainly for LC-MS applications, these are self-contained systems featuring integrated compressors, delivering laboratory-grade nitrogen at various pressures and flow rates required by numerous instruments.

Applications

- Gas solution for all Sciex Mass Spectrometers excluding MD instruments



Genius 1024 Dimensions

Key Features

- Supports all Sciex MS (except MD)
- Delivers nitrogen as curtain gas and dry air as source and exhaust gas
- Compact, under bench solution with low lifetime running costs
- Compressor based solution, no need for an external air supply
- High-specification latest generation compressors located in insulated chamber reducing noise and vibration
- Service indication to allow planning of preventative maintenance
- Minimal set-up required
- 12 month comprehensive on-site warranty

Technical Specifications

Genius 1024

Curtain Gas (Nitrogen)*	19 L/min @ up to 65 psi
Source Gas (Dry Air)*	26 L/min @ up to 100 psi
Exhaust Gas (Dry Air)*	25 L/min @ up to 60 psi
Min/Max Operating Temperature	5°C - 30°C / 41°F - 86°F
Max Relative Humidity	80% - non condensing
Max Altitude	2000 Meters
Particles	< 0.01µm
Gas Outlets	3x 1/4" BSP Female
Phthalates	None
Suspended Liquids	None
Electrical Requirements	230v 50/60Hz 7A
Power Consumption	1610 watts
Heat Output	5,490 BTU/hr
Generator Dimensions (HxWxD)	713 x 600 x 750mm/28.1 x 23.6 x 29.5 in
Generator Weight	108.5 Kg (239 lbs)

Ordering Information

Part Number	10-9524
Annual Service	08-9110
Standard Maintenance Plan	Visit: www.peakscientific.com/ordering
Complete Maintenance Plan	

*Please note, these performance characteristics are valid only when paired with an approved Sciex application. Please refer to current application matrix for a list of supported products.

[PEAK Protected]™

Peak Scientific gas generators define the benchmark in reliability, convenience and performance in laboratories around the world, and come backed by a 12 month warranty. Beyond this period however you can ensure that your investment continues to be **[Protected]** by our comprehensive generator care cover.

Our world-class aftercare support packages deliver a program of scheduled preventative maintenance whilst giving you the reassurance of instant access to worldwide technical support and priority on-site response in the untimely event of a breakdown.

Peak Scientific UK
 Tel: +44 (0)141 812 8100
 Fax: +44 (0)141 812 8200

Peak Scientific North America
 Tel: +1 866 647 1649
 Fax: +1 978 608 9503

For a full list of our worldwide office locations, please visit:

Web: www.peakscientific.com
 Email: marketing@peakscientific.com

Peak Scientific's Quality Management System conforms to: ISO:9001:2008



FM 515973

Product Certifications

